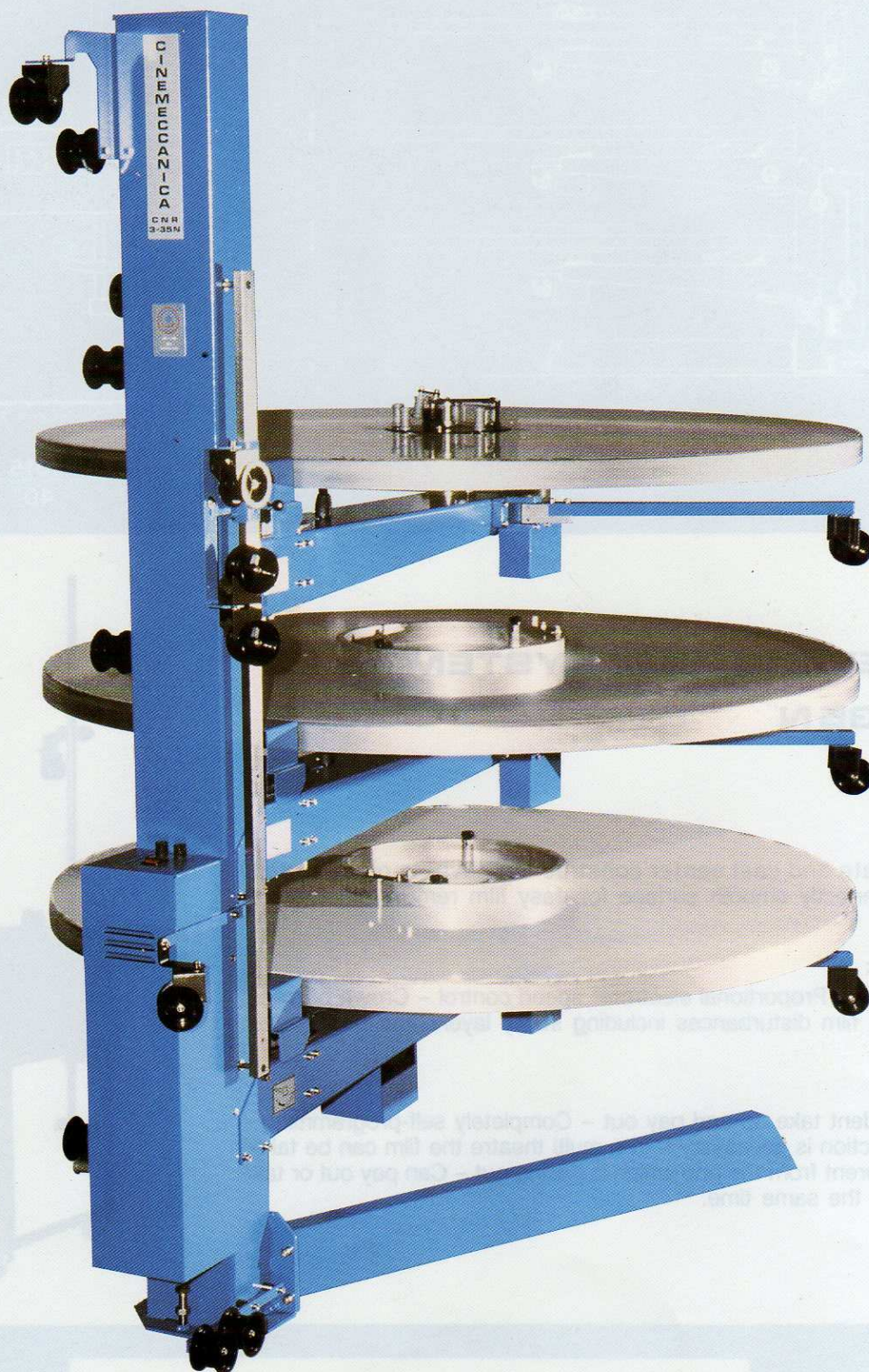


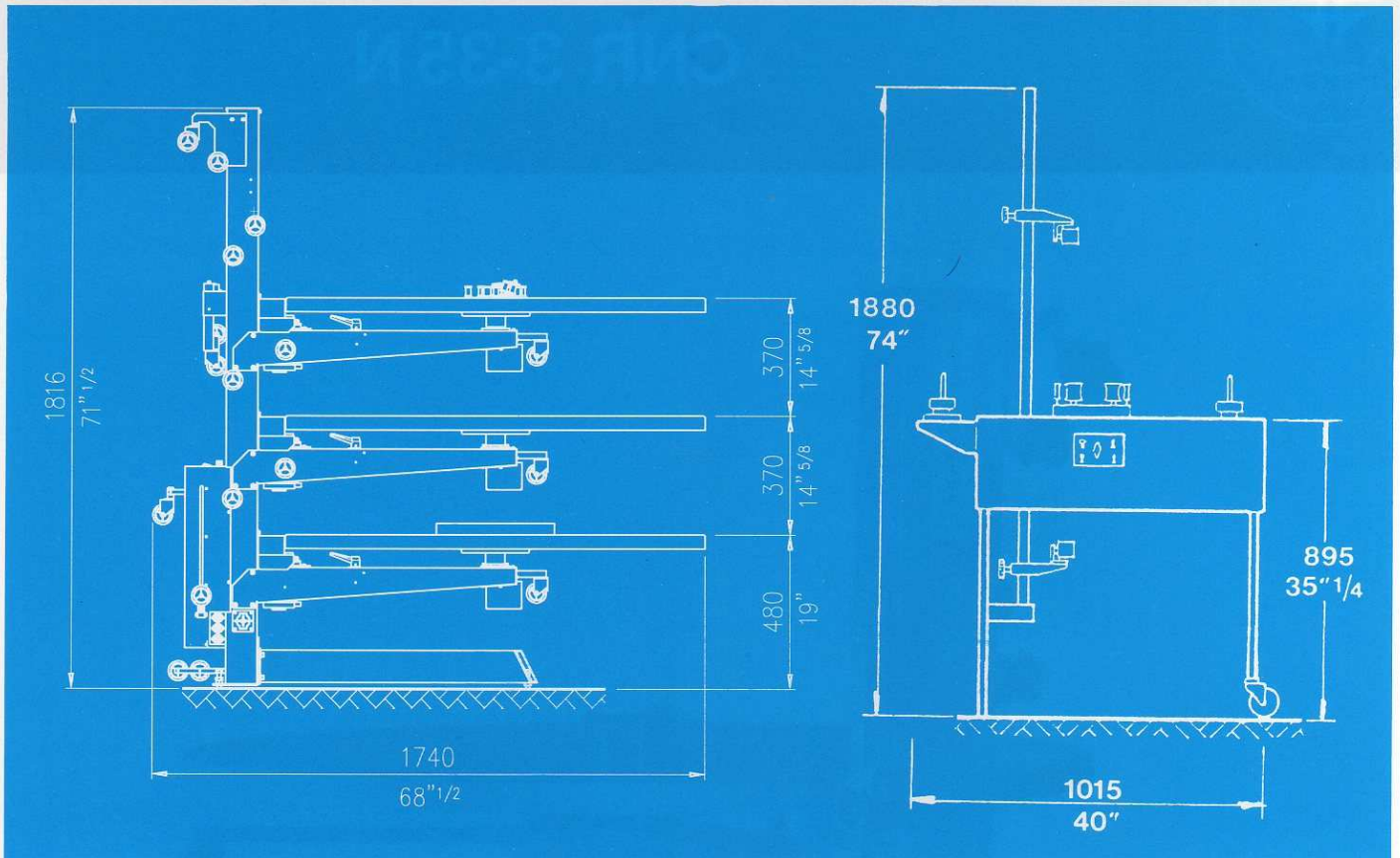


NON REWIND FILM SYSTEM CNR 3-35 N



CINEMECCANICA S.p.A. - 20133 MILANO - VIALE CAMPANIA, 23
Telefono +39 02 748.115.1 - Telefax +39 02 70100470

CINEMECCANICA



NON REWIND FILM SYSTEM

CNR 3-35 N

PLATTERS:

Heavy duty plate and cast center construction - Whole platter easily removable - Perfectly smooth surface for easy film removal.

PAY OUT UNIT:

Easily removable - Proportional electronic speed control - Crown of rollers to take care of film disturbances including sticky layers and bad splices.

Operation:

Totally independent take up and pay out - Completely self-programming - No manual selection is necessary - In a multi theatre the film can be taken up in a unit different from the one which is paying out - Can pay out or take up two films at the same time.



COD. 5090012

DISTRIBUTED BY:

A.S.p.A. - 20133 MILANO - VIALE
02 748.115.1 - Telefax +39