

# Christie CP2230

Digital cinema projection  
Outdoor exhibition  
Post production



## Our brightest digital cinema projector

The Christie CP2230 is the brightest digital cinema projector available and is ideally suited for large screen theaters, post-production houses, multi-media theatrical productions and the most demanding 3D installations. With a unique optics design and superior image processing, the CP2230 delivers crisp, clean images with perfect color saturation and spectacular video.

As part of the Christie Solaria Series, the Christie CP2230 is based on Series 2 DLP® technology from Texas Instruments and is DCI compliant.

**CHRISTIE®**



▲ For screens up to 100 feet



## Christie CP2230 split-body design

127-003104-01 CP2230 | 127-101103-01 7kW External Lamp Power Supply

Setting new standards with Brilliant3D™ technology, the Christie CP2230 features unique optics and superior image processing for crisp, clean images with perfect color saturation and spectacular moving pictures. With over 32,000 lumens, the Christie CP2230 is our brightest digital cinema projector for screens nearly 100 feet wide.

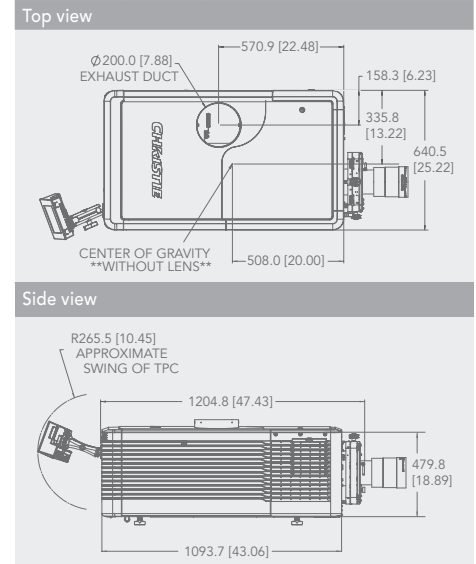
With its split body design, the CP2230 can be installed on a variety of rack stands and universal pedestals allowing an easy fit even in the most difficult environments.

In addition, the 7kW remote power supply can be configured to allow it to be placed up to 30 meters from the projector allowing ultimate flexibility.

For installations that require the most brilliant 3D results, the CP2230 delivers.

2K Series 2 DLP Cinema®	Split power operation for use with UPS
DCI compliant	Optional motorized lens mount
Easily upgradeable to 4K	Local control via flexible Touch Panel Controller (TPC) and full access from anywhere via web service based GUI
3D ready	Separate projection head and lamp power supply
Lowest cost of ownership	Adjustable lamp power – 1000-7000W
Accessories - for easy integration into any environment, Christie's full range of digital cinema accessories includes the Christie Cine-IPM 2K for alternative content, the Christie Multimedia Adapter for economical audio and video scaling, the Christie ACT automation control system, and a full suite of lenses and lamps.	Highest contrast ratio in 3-chip DLP Cinema®
Standard support for HDCP, SNMP and VNC	

Specifications	CP2230	
Brightness <sup>1</sup>	lamp	<ul style="list-style-type: none"> <li>• 2.0kW (CDXL-20) 003-000598-XX</li> <li>• 3.0kW (CDXL-30) 003-000599-XX</li> <li>• 4.5kW (CDXL-45) 003-000600-XX</li> <li>• 6.0kW (CDXL-60) 003-000601-XX</li> </ul>
	nominal	• ~32,000 lumens
	screen size	• >55"1
Contrast ratio	• >2100:1 full field on/off	
Digital micromirror device	<ul style="list-style-type: none"> <li>• 1.2" 2K 3-chip DMD DLP Cinema®</li> <li>• 2048x1080 pixels</li> <li>• Upgradable to 1.38" 4K (4096 x 2160 pixels)</li> </ul>	
Input line voltage	• 3 Phase 208/400V	
Number of colors	• 35.2 trillion	
Lenses	• See christiedigital.com, or the Entertainment Solutions brochure, for a complete list of lens options.	
Power supply	• 7kW low-ripple switch mode lamp power supply	
Weight	<ul style="list-style-type: none"> <li>• As installed: 245lb max (111kg)</li> <li>• Lamp power supply: 70lbs max (32kg)</li> </ul>	
Accessories	<ul style="list-style-type: none"> <li>• Lamp power supply cable kit 7.5m 127-103105-01</li> <li>• Lamp power supply cable kit 15m 127-103116-01</li> <li>• Lamp power supply cable kit 30m 127-103127-01</li> <li>• Rack mount stand (fully assembled) 108-282101-02</li> <li>• Rear feet lock downs 116-100101-01</li> </ul>	



<sup>1</sup> Measured at screen center. Depending on auditorium variables such as screen gain, lamp age, geometry, etc.

### Corporate offices

Christie Digital Systems USA, Inc  
USA – Cypress  
ph: 714 236 8610

Christie Digital Systems Canada Inc.  
Canada – Kitchener  
ph: 519 744 8005

### Worldwide offices

United Kingdom  
ph: +44 (0) 118 977 8000

Germany  
ph: +49 2161 664540

France  
ph: +33 (0) 1 41 21 44 04

Eastern Europe and Russian Federation  
ph: +36 (0) 1 47 48 100

United Arab Emirates  
ph: +971 (0) 4 299 7575

India  
ph: (080) 41468941 – 48

Singapore  
ph: +65 6877 8737

China (Shanghai)  
ph: +86 21 6278 7708

China (Beijing)  
ph: +86 10 6561 0240

Japan (Tokyo)  
ph: 81 3 3599 7481

Korea (Seoul)  
ph: +82 2 702 1601

### Independent sales consultant offices

Spain  
ph: +34 91 633 9990

Italy  
ph: +39 (0) 2 9902 1161

South Africa  
ph: +27 (0) 317 671 347



### DLP Cinema® Technology

2009 Academy Scientific and Engineering Award for Color Accuracy

A.M.P.A.S.® Recipients of the 2009 Academy Plaque are D. Scott Dreweid, Greg Pettitt, Brad Walker and Bill Werner.



For the most current specification information, please visit [www.christiedigital.com](http://www.christiedigital.com)

Copyright 2010 Christie Digital Systems USA, Inc. All rights reserved. All brand names and product names are trademarks, registered trademarks or tradenames of their respective holders. Canadian manufacturing facility is ISO 9001 and 14001 certified. Performance specifications are typical. Due to constant research, specifications are subject to change without notice. Printed in Canada on recycled paper. 2650 Sept 10

**CHRISTIE®**